



# PARTS CATALOG

Published

2008/7 (Jul.)

---

0CV10-G11300

# P R E F A C E

1. This Parts Catalog carries all parts incorporated in YANMAR Model **L40AE-DV** & **L60AE-DV** engine manufactured since October 1990.
2. Each illustration corresponds to the parts list on the following page.
3. When ordering parts, clearly write down the engine model and serial number, as well as the name and number of each part in your order sheet. This will help insure reliable delivery of the parts you have ordered.

# CONTENTS

MODEL : L40,60AE-DV (VIBROMAX)

PC NO : 0CV10-G11300

Fig.No. GROUP NAME

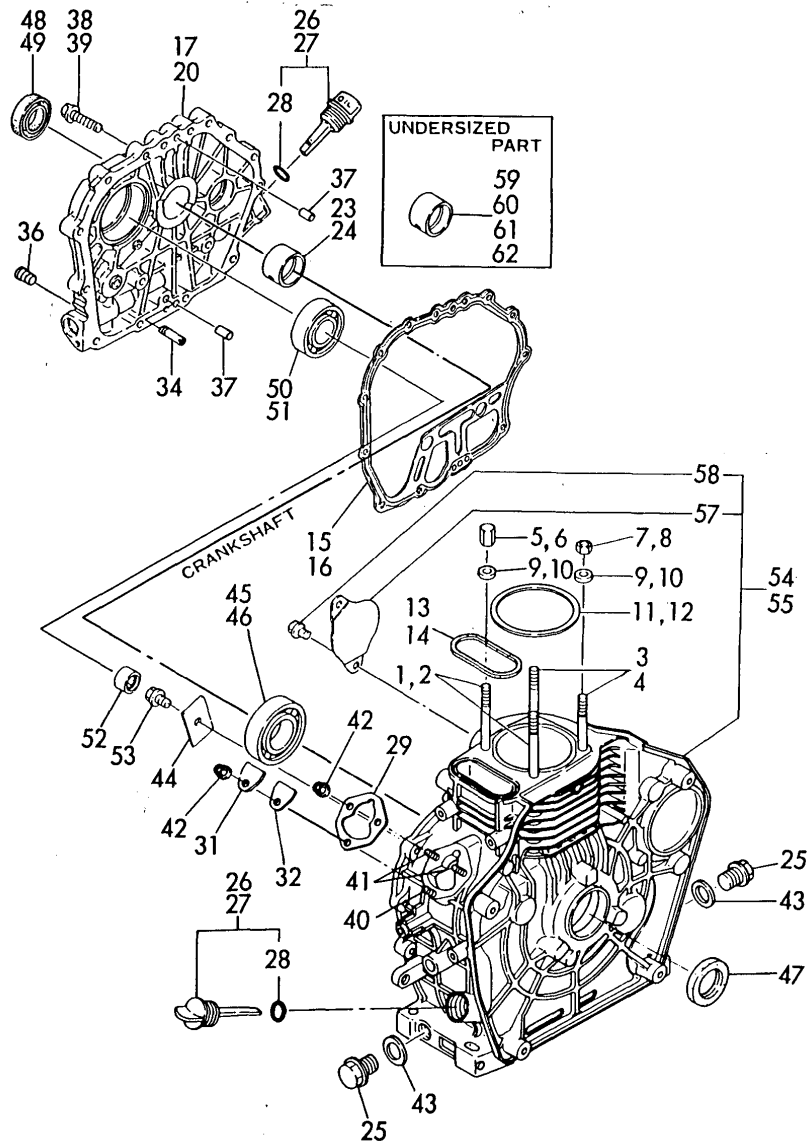
L40,60AE-DV

1. CYLINDER BLOCK
2. CYLINDER HEAD & BONNET
3. AIR CLEANER & MUFFLER
4. CRANKSHAFT & CAMSHAFT
5. PISTON & CONNECTING ROD
6. LUB. OIL PUMP & GOVERNOR
7. COOLING & STARTING DEVICE
8. FUEL INJECTION PUMP & VALVE
9. FUEL TANK & FUEL LINE
10. TOOL, LABEL & GASKET SET

Fig.No. GROUP NAME

Fig.1. CYLINDER BLOCK

Fig. 1 CYLINDER BLOCK



Remarks  
 (1) REPAIR PART.  
 (2) UNDERSIZED(U.S=0.25) PART.  
 (3) UNDERSIZED(U.S=0.5) PART.

(A)=L40AE-DV  
 (B)=L60AE-DV  
 (C)=

(D)=  
 (E)=  
 (F)=

REF.	LEV.	PARTS NO.	DESCRIPTION	QTY						I	R
				(A)	(B)	(C)	(D)	(E)	(F)		
1	1	114250-01200	STUD, CYL. HEAD	2							
2	1	114350-01200	STUD, CYL. HEAD		2						
3	1	114250-01210	STUD, CYL. HEAD	2							
4	1	114350-01210	STUD, CYL. HEAD		2						
5	1	114250-01220	NUT 8	2							
6	1	114350-01220	NUT 9		2						
7	1	114250-01250	NUT 8	2							
8	1	114350-01250	NUT 9		2						
9	1	124950-01250	WASHER	4							
10	1	105225-01240	WASHER		4						
11	1	114250-01340	GASKET, CYL. HEAD	1							
12	1	114350-01340	GASKET, CYL. HEAD		1						
13	1	114250-01380	O-RING	1							
14	1	114350-01380	O-RING		1						
15	1	114250-01412	GASKET, CRANK CASE	1							
16	1	114350-01412	GASKET, CRANK CASE		1						
17	1	114260-01453	COVER (D),CRANK CASE	1							
20	1	114360-01453	COVER (D),CRANK CASE		1						
23	1	114250-02100	BEARING, MAIN	1							1
24	1	114350-02100	BEARING, MAIN		1						1
25	1	105425-01690	PLUG M16	2	2						
26	1	160710-01760	CAP, W/LUB.OIL GAUGE	2							
27	1	160910-01740	CAP, W/LUB.OIL GAUGE		2						
28	2	24311-000180	O-RING 1A P-18.0	2	2						
29	1	114250-01800	SHIM SET	1	1						
31	1	114250-01830	COVER, INSPEC.WINDOW	1	1						
32	1	114250-01840	GASKET	1	1						
34	1	114250-35150	PIPE, LUB. OIL	1	1						
36	1	23871-010000	PLUG PT1/8,SCREW	1	1						
37	1	22312-080120	PARALLEL PIN 8X12	2	2						
38	1	26106-060252	BOLT M 6X 25 PLATED	14							
39	1	26106-080352	BOLT M 8X 35 PLATED	1	15						
40	1	26226-060182	STUD M 6X 18 PLATED	1	1						
41	1	26226-060222	STUD M 6X 22 PLATED	2	2						
42	1	26366-060002	NUT M 6	3	3						
43	1	43400-500490	SEAL WASHER 16	2	2						
44	1	114250-02030	RETAINER, BEARING	1	1						
45	1	114250-02113	BALL BEARING	1							
46	1	114350-02113	BALL BEARING		1						
47	1	160110-02220	SEAL, OIL	1	1						
48	1	160210-02220	SEAL, OIL	1							
49	1	160110-02220	SEAL, OIL		1						
50	1	24101-062050	BALL BEARING	1							
51	1	24101-062060	BALL BEARING		1						
52	1	24162-152112	NEEDLE BEARING	1	1						
53	1	26106-080122	BOLT M 8X 12 PLATED	1	1						
54	1	714271-01560	BLOCK ASSY, CYLINDER	1							
55	1	714371-01560	BLOCK ASSY, CYLINDER		1						
57	2	114350-01700	COVER, STARTER	1	1						
58	2	26106-100122	BOLT M10X 12 PLATED	2	2						
59	1	114250-02200	BEARING US=0.25,MAIN	1							2

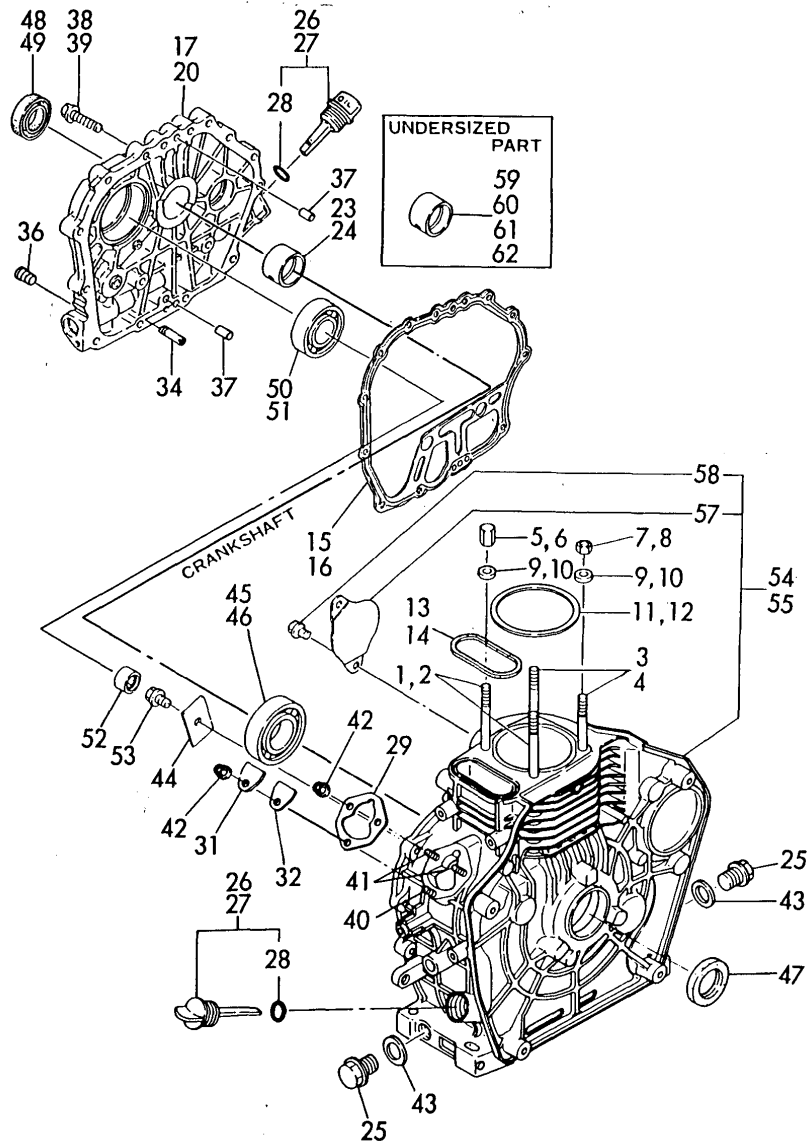
N:Old  $\frac{Yes}{No}$  New, Q:Old  $\frac{No}{Yes}$  New, R:Old  $\frac{Yes}{Yes}$  New, S:Old  $\frac{No}{No}$  New, W:Add, Z:Discontinued, F:Interchangeable by set, K:Q'ty Change

++ CONTINUE ++

(C)Copy Rights YANMAR CO.,LTD.

Fig.1. CYLINDER BLOCK

Fig. 1 CYLINDER BLOCK



Remarks  
 (1) REPAIR PART.  
 (2) UNDERSIZED(U.S=0.25) PART.  
 (3) UNDERSIZED(U.S=0.5) PART.

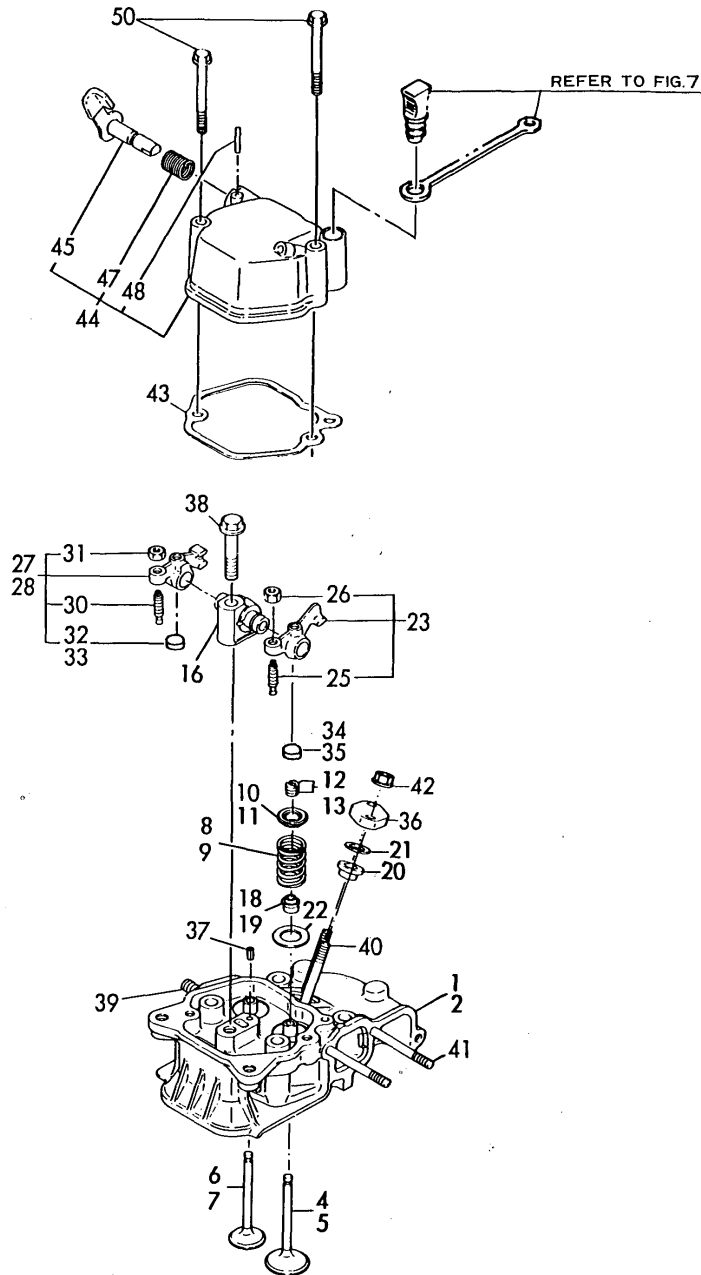
(A)=L40AE-DV  
 (B)=L60AE-DV  
 (C)=

(D)=  
 (E)=  
 (F)=

REF.	LEV.	PARTS NO.	DESCRIPTION	Q'TY						I	R
				(A)	(B)	(C)	(D)	(E)	(F)		
60	1	114350-02200	BEARING US=0.25,MAIN		1						2
61	1	114250-02210	BEARING US=0.50,MAIN		1						3
62	1	114350-02210	BEARING US=0.50,MAIN		1						3

Fig.2. CYLINDER HEAD & BONNET

Fig.2 CYLINDER HEAD & BONNET



(A)=L40AE-DV  
(B)=L60AE-DV  
(C)=

(D)=  
(E)=  
(F)=

REF.	LEV.	PARTS NO.	DESCRIPTION	QTY						I	R
				(A)	(B)	(C)	(D)	(E)	(F)		
1	1	114250-11020	HEAD ASSY, CYLINDER	1							
2	1	114350-11021	HEAD ASSY, CYLINDER		1						
4	1	114250-11101	VALVE, SUCTION	1							
5	1	114350-11101	VALVE, SUCTION		1						
6	1	114250-11113	VALVE, EXHAUST	1							
7	1	114350-11113	VALVE, EXHAUST		1						
8	1	114250-11120	SPRING, VALVE	2							
9	1	114350-11120	SPRING, VALVE		2						
10	1	114250-11180	RETAINER, SPRING	2							
11	1	101158-11180	RETAINER, SPRING		2						
12	1	714250-11570	COTTER	2							
13	1	27310-060001	COTTER 6		2						
16	1	114250-11290	SUPPORT, ROCKER ARM	1	1						
18	1	114250-11340	SEAL, VALVE STEM	2							
19	1	114350-11340	SEAL, VALVE STEM		2						
20	1	114250-11460	GASKET, NOZZLE	1	1						
21	1	114350-11470	SPACER	1	1						
22	1	114250-11600	WASHER	2	2						
23	1	114250-11651	ARM ASSY, INTAKE	1	1						
25	2	114250-11240	SCREW, VALVE ADJUST.	1	1						
26	2	26756-060002	LOCK NUT M 6 PLATED	1	1						
27	1	714270-11660	ARM ASSY, EXHAUST	1							
28	1	714370-11660	ARM ASSY, EXHAUST		1						
30	3	114250-11240	SCREW, VALVE ADJUST.	1	1						
31	3	26756-060002	LOCK NUT M 6 PLATED	1	1						
32	2	119260-11370	CAP, VALVE	1							
33	2	105010-11490	CAP, VALVE		1						
34	1	119260-11370	CAP, VALVE	1							
35	1	105010-11490	CAP, VALVE		1						
36	1	114250-11900	RETAINER, NOZZLE	1	1						
37	1	22351-040008	SPRING PIN 4X 8	1	1						
38	1	26106-080452	BOLT M 8X 45 PLATED	1	1						
39	1	26216-080182	STUD M 8X 18 PLATED	2	2						
40	1	26226-060502	STUD M 6X 50	2	2						
41	1	26226-060552	STUD M 6X 55	2	2						
42	1	26366-060002	NUT M 6	2	2						
43	1	114250-11310	GASKET, BONNET	1	1						
44	1	114250-11951	BONNET ASSY, HEAD	1	1						
45	2	114250-03591	SHAFT ASSY, DECOMP.	1	1						
47	2	114250-03640	SPRING	1	1						
48	2	22312-030160	PARALLEL PIN 3X16	1	1						
50	1	26106-060552	BOLT M 6X 55 PLATED	2	2						

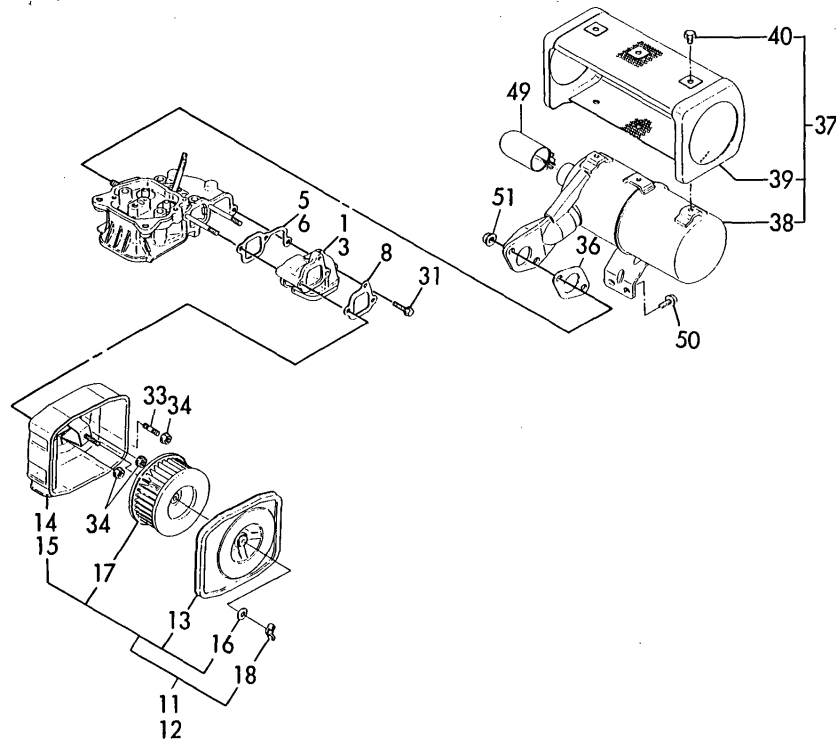
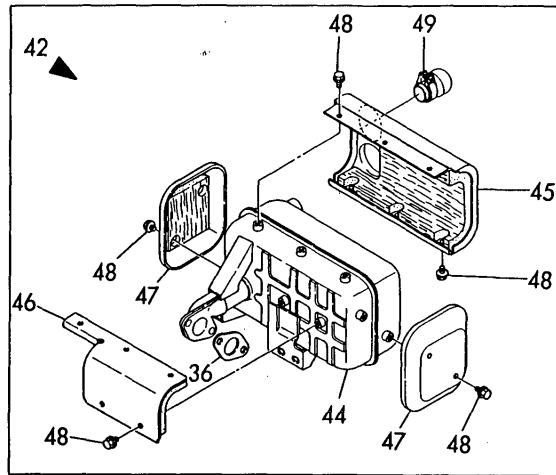
Fig.3. AIR CLEANER & MUFFLER

OCV10-G11300 3. AIR CLEANER & MUFFLER

(A)=L40AE-DV  
(B)=L60AE-DV  
(C)=

(D)=  
(E)=  
(F)=

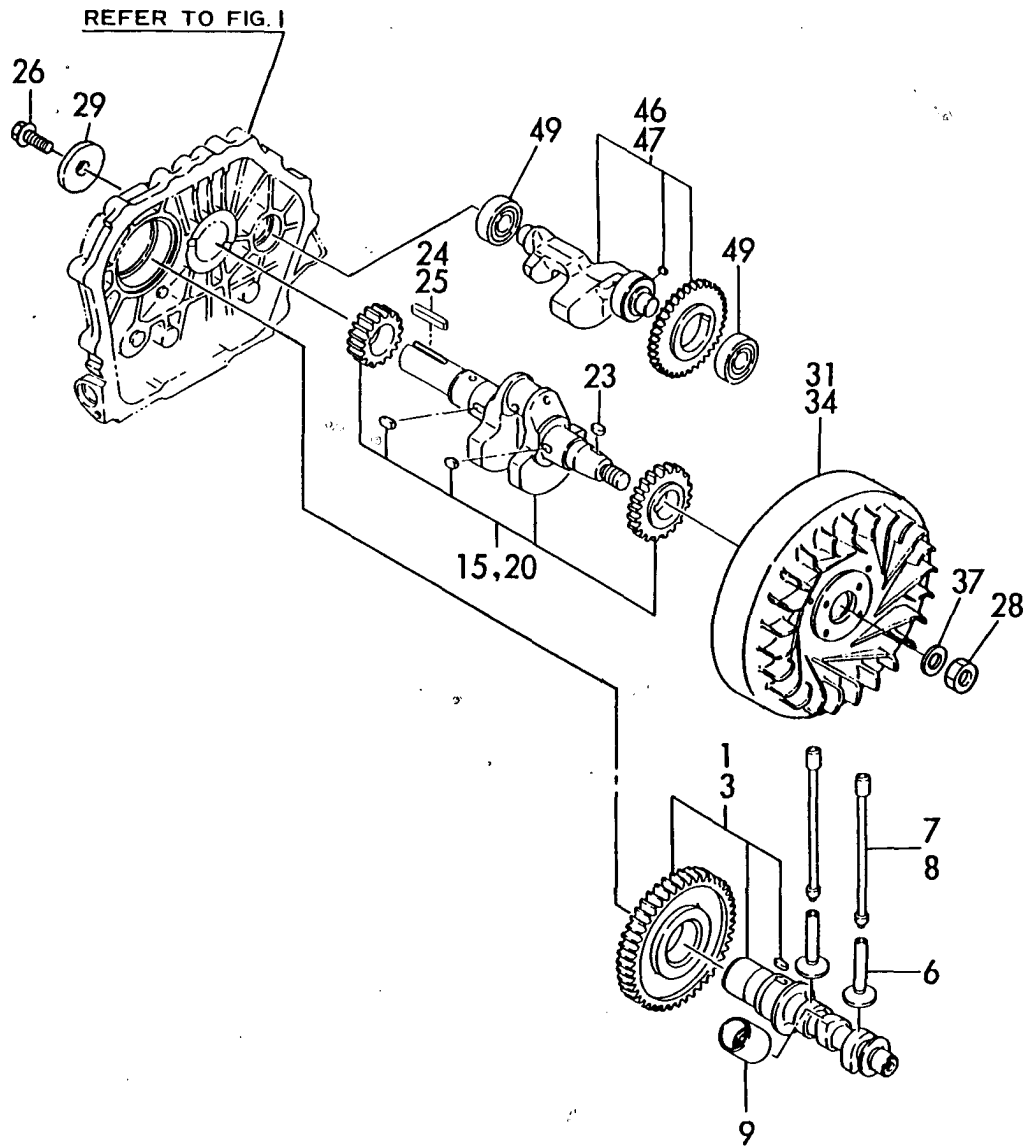
Fig. 3 AIR CLEANER & MUFFLER



REF.	LEV.	PARTS NO.	DESCRIPTION	QTY						I	R
				(A)	(B)	(C)	(D)	(E)	(F)		
1	1	114250-12010	PIPE, AIR INTAKE	1							
3	1	114350-12011	PIPE, AIR INTAKE		1						
5	1	114250-12200	GASKET, AIR INTAKE	1							
6	1	114350-12201	GASKET, AIR INTAKE		1						
8	1	114250-12210	GASKET, AIR CLEANER	1	1						
11	1	714268-12581	CLEANER ASSY, AIR	1							
12	1	714250-12560	CLEANER ASSY, AIR		1						
13	3	114250-12520	COVER, AIR CLEANER	1	1						
14	3	114250-12980	CASE, AIR CLEANER	1							
15	3	114250-12530	CASE, AIR CLEANER		1						
16	3	114250-12560	WASHER, SEAL	1	1						
17	3	114250-12580	ELEMENT, WET AIR	1	1						
18	2	114250-12550	WING NUT M6	1	1						
31	1	26106-060252	BOLT M 6X 25 PLATED	1	2						
33	1	26226-060142	STUD M 6X 14 PLATED	1	1						
34	1	26366-060002	NUT M 6	3	3						
36	1	114250-13200	GASKET, MUFFLER	1	1						
37	1	114250-13521	MUFFLER W/COVER	1							
38	2	114250-13531	MUFFLER ASSY	1							
39	2	114250-13701	COVER, MUFFLER	1							
40	2	26106-060082	BOLT M 6X 8 PLATED	6							
42	1	114870-13550	MUFFLER ASSY		1						
44	2	114870-13560	MUFFLER		1						
45	2	114870-13700	COVER(A), MUFFLER		1						
46	2	114870-13710	COVER(B), MUFFLER		1						
47	2	114870-13720	COVER(C), MUFFLER		2						
48	2	26106-060082	BOLT M 6X 8 PLATED		12						
49	1	114268-13800	EXTENSION, EXH.	1	1						
50	1	26106-060122	BOLT M 6X 12 PLATED	2	2						
51	1	26366-080002	NUT 8	2	2						

Fig.4. CRANKSHAFT & CAMSHAFT

Fig.4 CRANKSHAFT & CAMSHAFT



(A)=L40AE-DV  
(B)=L60AE-DV  
(C)=

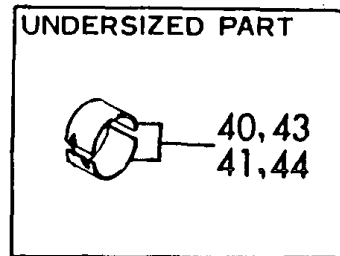
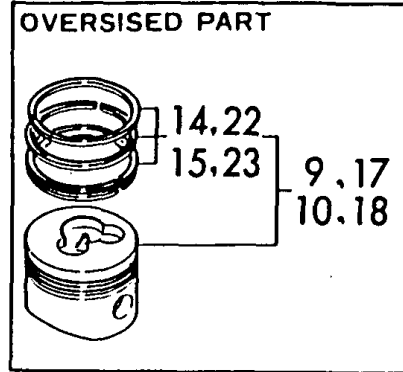
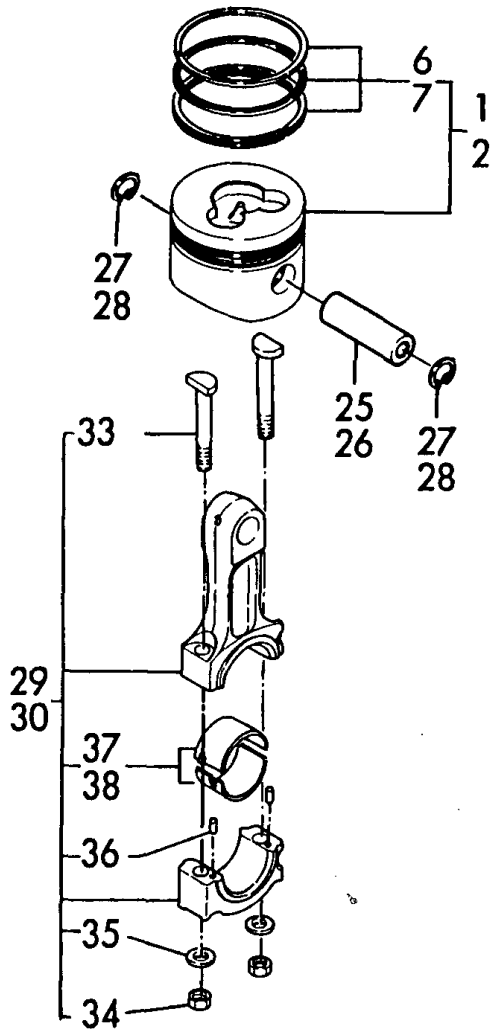
(D)=  
(E)=  
(F)=

REF.	LEV.	PARTS NO.	DESCRIPTION	QTY						I	R
				(A)	(B)	(C)	(D)	(E)	(F)		
1	1	714780-14580	CAMSHAFT(D) ASSY.	1							
3	1	714880-14580	CAMSHAFT(D) ASSY.		1						
6	1	114250-14200	TAPPET, SUC./EXH.	2	2						
7	1	114250-14450	ROD, PUSH	2							
8	1	114350-14450	ROD, PUSH		2						
9	1	114250-14260	TAPPET, FUEL	1	1						
15	1	714288-21740	CRANKSHAFT ASSY.(DV	1							
20	1	714388-21740	CRANKSHAFT ASSY		1						
23	1	22512-040120	KEY 4X 12	1	1						
24	1	22512-050300	KEY 5X 30	1							
25	1	22512-070360	KEY 7X 36		1						
26	1	26106-080202	BOLT M 8X 20 PLATED	1	1						
28	1	103854-01221	NUT M16	1	1						
29	1	160310-14550	WASHER	1	1						
31	1	114780-21400	FLYWHEEL (D)	1							
34	1	114880-21400	FLYWHEEL (D)		1						
37	1	114250-21550	WASHER, FLYWHEEL	1	1						
46	1	714770-28510	SHAFT ASSY, BALANCER	1							
47	1	714870-28510	SHAFT ASSY, BALANCER		1						
49	1	24101-062024	BALL BEARING	2	2						



Fig.5. PISTON & CONNECTING ROD

Fig. 5 PISTON & CONNECTING ROD



Remarks  
 (1) OVERSIZED(O.S=0.25) PART.  
 (2) OVERSIZED(O.S=0.5) PART.  
 (3) UNDERSIZED(U.S=0.25) PART  
 (4) UNDERSIZED(U.S=0.5) PART.

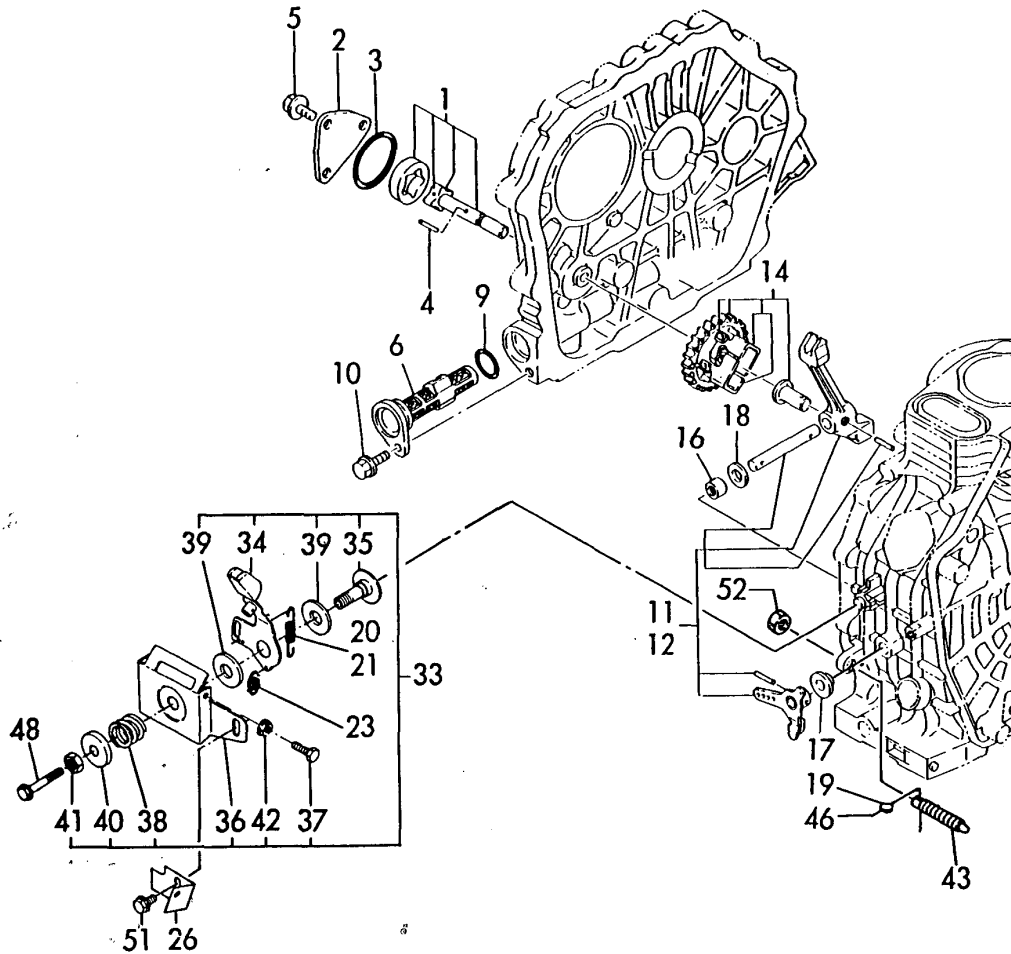
(A)=L40AE-DV  
 (B)=L60AE-DV  
 (C)=

(D)=  
 (E)=  
 (F)=

REF.	LEV.	PARTS NO.	DESCRIPTION	Q'TY						I	R
				(A)	(B)	(C)	(D)	(E)	(F)		
1	1	714280-22720	PISTON W/RINGS	1							
2	1	714380-22720	PISTON W/RINGS		1						
6	2	714250-22502	RING SET, PISTON	1							
7	2	714350-22502	RING SET, PISTON		1						
9	1	714280-22620	PISTON W/RING OS=.25	1							1
10	1	714380-22620	PISTON W/RING OS=.25		1						1
14	2	714250-22542	RING SET O.S.=0.25	1							1
15	2	714350-22542	RING SET O.S.=0.25		1						1
17	1	714280-22580	PISTON W/RING OS=0.5	1							2
18	1	714380-22580	PISTON W/RING OS=0.5		1						2
22	2	714250-22550	RING SET O.S.=0.50	1							2
23	2	714350-22550	RING SET O.S.=0.50		1						2
25	1	114250-22302	PIN, PISTON D=19	1							
26	1	114350-22301	PIN, PISTON D=21		1						
27	1	22252-000190	CIRCLIP 19	2							
28	1	22252-000210	CIRCLIP 21		2						
29	1	714250-23703	ROD ASSY, CONNECTING	1							
30	1	714350-23704	ROD ASSY, CONNECTING		1						
33	3	114250-23200	BOLT, ROD	2	2						
34	3	114250-23220	NUT, ROD BOLT	2	2						
35	3	114250-23250	WASHER	2	2						
36	3	22312-030080	PARALLEL PIN 3X 8	2	2						
37	2	714250-23600	BEARING, CRANKPIN	1							
38	2	714350-23600	BEARING, CRANKPIN		1						
40	1	714250-23610	BEARING U.S=0.25,PIN	1							3
41	1	714350-23610	BEARING U.S=0.25,PIN		1						3
43	1	714250-23620	BEARING U.S=0.50,PIN	1							4
44	1	714350-23620	BEARING U.S=0.50,PIN		1						4

Fig.6. LUB. OIL PUMP & GOVERNOR

Fig.6 LUB. OIL PUMP & GOVERNOR



(A)=L40AE-DV  
(B)=L60AE-DV  
(C)=

(D)=  
(E)=  
(F)=

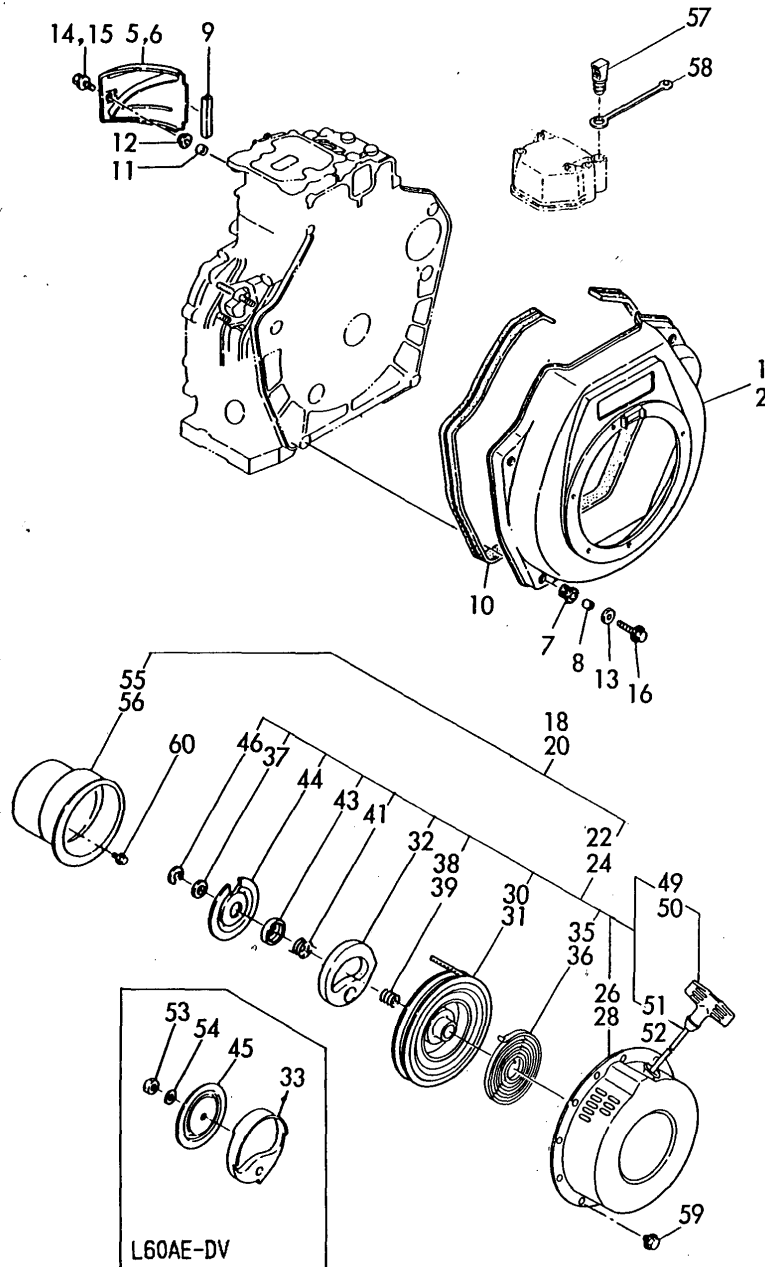
REF.	LEV.	PARTS NO.	DESCRIPTION	QTY						I	R
				(A)	(B)	(C)	(D)	(E)	(F)		
1	1	114250-32010	PUMP ASSY, LUB.OIL	1	1						
2	1	114250-32070	COVER, LUB. OIL PUMP	1	1						
3	1	103338-32570	O-RING	1	1						
4	1	22312-030160	PARALLEL PIN 3X16	1	1						
5	1	26476-060142	BOLT M 6X 14	3	3						
6	1	114250-35070	STRAINER, LUB. OIL	1	1						
9	1	24341-000224	O-RING 1A S-22.4	1	1						
10	1	26106-060162	BOLT M 6X 16 PLATED	1	1						
11	1	714250-61500	LEVER ASSY, GOVERNOR	1							
12	1	714350-61500	LEVER ASSY, GOVERNOR		1						
14	1	714770-61700	GOVERNOR ASSY	1	1						
16	1	121450-61520	NEEDLE BEARING FJ810	2	2						
17	1	114250-61900	BUSH, THRUST	1	1						
18	1	22137-080000	WASHER 8, POLISHED	1	1						
19	1	135210-61090	LEAD	2	2						
20	1	114770-66010	SPRING, REGULATOR	1							
21	1	114870-66010	SPRING, REGULATOR		1						
23	1	114250-66200	SPRING, RETURN	1	1						
26	1	114254-66220	SUPPORT	1	1						
33	1	114254-66200	BRACKET ASSY,REGULAT	1	1						
34	2	114254-66210	HANDLE, REGULATOR	1	1						
35	2	183250-66070	SHAFT, HANDLE	1	1						
36	2	183250-66100	BRACKET, REGULATOR	1	1						
37	2	114250-66440	BOLT, ADJUSTING	1	1						
38	2	104200-66820	SPRING	1	1						
39	2	104200-66830	PLATE, FRICTION	2	2						
40	2	104200-66850	WASHER (B)	1	1						
41	2	26696-100002	NUT M10	1	1						
42	2	26757-060002	LOCK NUT M 6 PLATED	1	1						
43	1	114250-66550	TORQUE SPRING ASSY	1	1						
46	1	22451-060000	WIRE 0.6	2	2						
48	1	26106-060452	BOLT M 6X 45 PLATED	1	1						
51	1	26476-060142	BOLT M 6X 14	1	1						
52	1	26696-100002	NUT M10	1	1						

Fig.7. COOLING & STARTING DEVICE

(A)=L40AE-DV  
(B)=L60AE-DV  
(C)=

(D)=  
(E)=  
(F)=

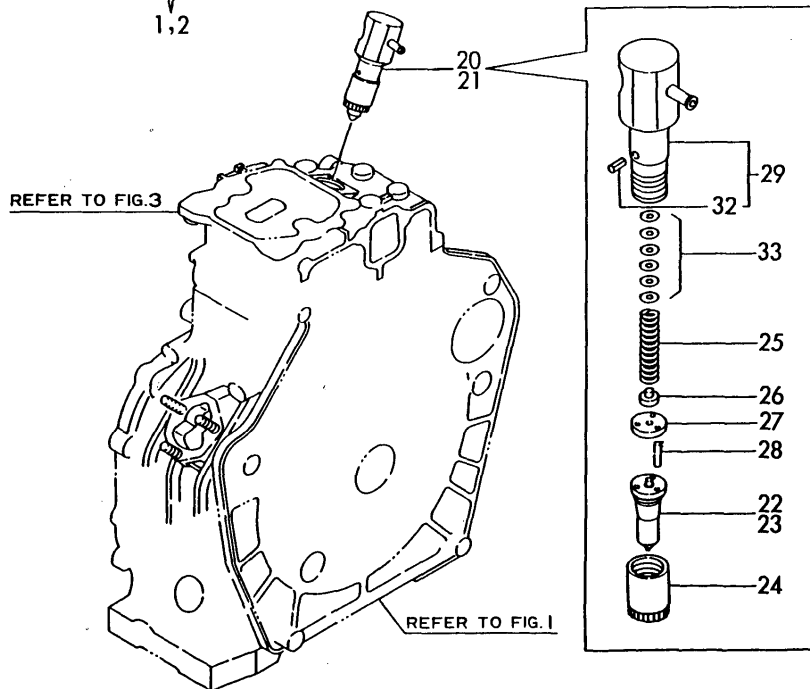
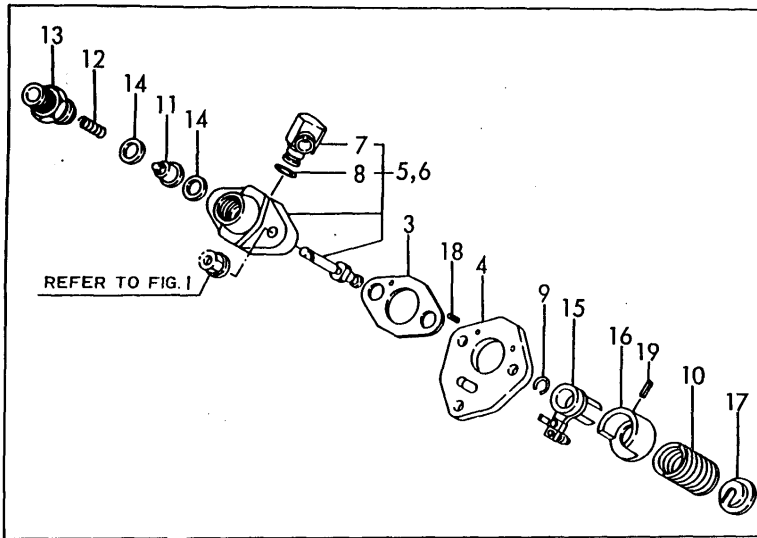
Fig.7 COOLING & STARTING DEVICE



REF.	LEV.	PARTS NO.	DESCRIPTION	QTY						I	R
				(A)	(B)	(C)	(D)	(E)	(F)		
1	1	114780-45100	CASE(D), COOLING FAN	1							
2	1	114360-45101	CASE(D), COOLING FAN		1						
5	1	114250-45211	COVER, CYLINDER	1							
6	1	114870-45200	COVER, CYLINDER		1						
7	1	114250-45300	SHOCK ABSORBER	4	5						
8	1	114250-45310	COLLAR	4	5						
9	1	114350-45320	RUBBER, SEAL		1						
10	1	114250-45330	SEAL, FAN CASE	1	1						
11	1	114350-45340	COLLAR		1						
12	1	183720-55210	GROMMET		1						
13	1	160120-76940	WASHER	4	5						
14	1	26476-060142	BOLT M 6X 14	1							
15	1	26476-060202	BOLT M 6X 20		1						
16	1	26476-060252	BOLT M 6X 25	4	5						
18	1	114260-76050	STARTER ASSY, RECOIL	1							
20	1	114880-76050	STARTER ASSY, RECOIL		1						
22	2	114260-76250	RECOIL ASSY	1							
24	2	114880-76250	RECOIL ASSY		1						
26	3	114260-76520	CASE, STARTER	1							
28	3	114880-76510	CASE, STARTER		1						
30	3	160260-76520	REEL	1							
31	3	160810-76520	REEL		1						
32	3	160260-76530	RATCHET	1							
33	3	160840-76530	RATCHET		1						
35	3	160260-76540	SPRING, SPIRAL	1							
36	3	160810-76540	SPRING, SPIRAL		1						
37	3	160260-76550	WASHER, THRUST	1							
38	3	160260-76560	SPRING, FRICTION	1							
39	3	160840-76560	SPRING, FRICTION		1						
41	3	160290-76570	SPRING, RETURN	1							
43	3	160260-76580	COVER, SPRING	1							
44	3	160260-76590	PLATE, FRICTION	1							
45	3	160810-76580	PLATE, FRICTION		1						
46	3	160260-76600	CIRCLIP(E)	1							
49	4	160260-76620	KNOB, STARTER	1							
50	4	160810-76620	KNOB, STARTER		1						
51	4	160260-76630	ROPE, STARTER	1							
52	4	160810-76630	ROPE, STARTER		1						
53	3	181130-76680	NUT		1						
54	3	181130-76700	WASHER		1						
55	2	114250-76590	PULLEY, STARTER	1							
56	2	114350-76590	PULLEY, STARTER		1						
57	1	114250-76600	PLUNGER	1	1						
58	1	114250-76610	HOLDER, PLUNGER	1	1						
59	1	26106-060082	BOLT M 6X 8 PLATED	4	4						
60	1	26106-060122	BOLT M 6X 12 PLATED	3	3						

Fig.8. FUEL INJECTION PUMP & VALVE

Fig.8 FUEL INJECTION PUMP & VALVE



OCV10-G11300 8. FUEL INJECTION PUMP & VALVE

(A)=L40AE-DV  
(B)=L60AE-DV  
(C)=

(D)=  
(E)=  
(F)=

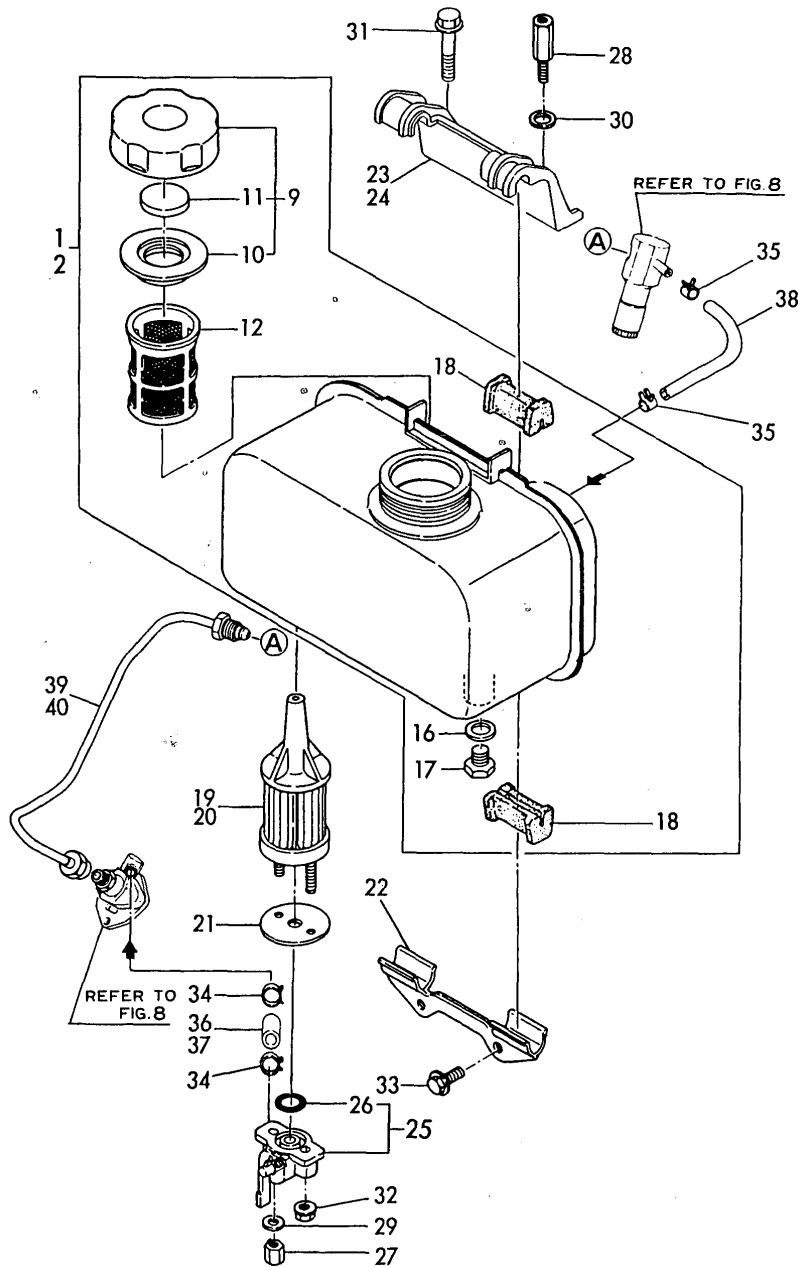
REF.	LEV.	PARTS NO.	DESCRIPTION	QTY						I	R
				(A)	(B)	(C)	(D)	(E)	(F)		
1	1	714250-51710	PUMP ASSY, F.INJECT.	1							
2	1	714350-51710	PUMP ASSY, F.INJECT.		1						
3	2	105546-51020	GASKET	1	1						
4	2	114250-51080	PLATE	1	1						
5	2	114250-51200	BODY, FUEL PUMP	1							
6	2	114350-51200	BODY, FUEL PUMP		1						
7	3	114250-51180	JOINT	1	1						
8	3	114250-51190	O-RING	1	1						
9	2	114250-51150	SNAP RING	1	1						
10	2	114250-51160	SPRING	1	1						
11	2	114250-51300	VALVE ASSY, DELIVERY	1	1						
12	2	105546-51330	SPRING, DELIV. VALVE	1	1						
13	2	114250-51340	HOLDER, F.I.P.DELIVE		1	1					
14	2	124550-51350	GASKET, DELIVERY	2	2						
15	2	114250-51600	LEVER ASSY, CONTROL	1	1						
16	2	114250-51640	SEAT (A), SPRING	1	1						
17	2	114250-51650	SEAT (B), SPRING	1	1						
18	2	22351-020006	SPRING PIN 2X 6	2	2						
19	2	22351-030008	SPRING PIN 3X 8	1	1						
20	1	714250-53101	VALVE ASSY, F.INJECT	1							
21	1	714870-53100	VALVE ASSY, F.INJECT		1						
22	2	114250-53001	NOZZLE ASSY,F.INJECT	1							
23	2	114870-53000	NOZZLE ASSY,F.INJECT		1	1					
24	2	114250-53080	NUT, NOZZLE CASE	1	1						
25	2	114250-53120	SPRING, NOZZLE	1	1						
26	2	114250-53130	SPRING, SEAT	1	1						
27	2	114250-53140	PLATE, STOP	1	1						
28	2	114250-53210	PIN	2	2						
29	2	114250-53300	HOLDER ASSY, NOZZLE	1	1						
32	3	114250-53331	PIN, SPRING	1	1						
33	2	114250-53400	SHIM PACK	1	1						

Fig.9. FUEL TANK & FUEL LINE

(A)=L40AE-DV  
(B)=L60AE-DV  
(C)=

(D)=  
(E)=  
(F)=

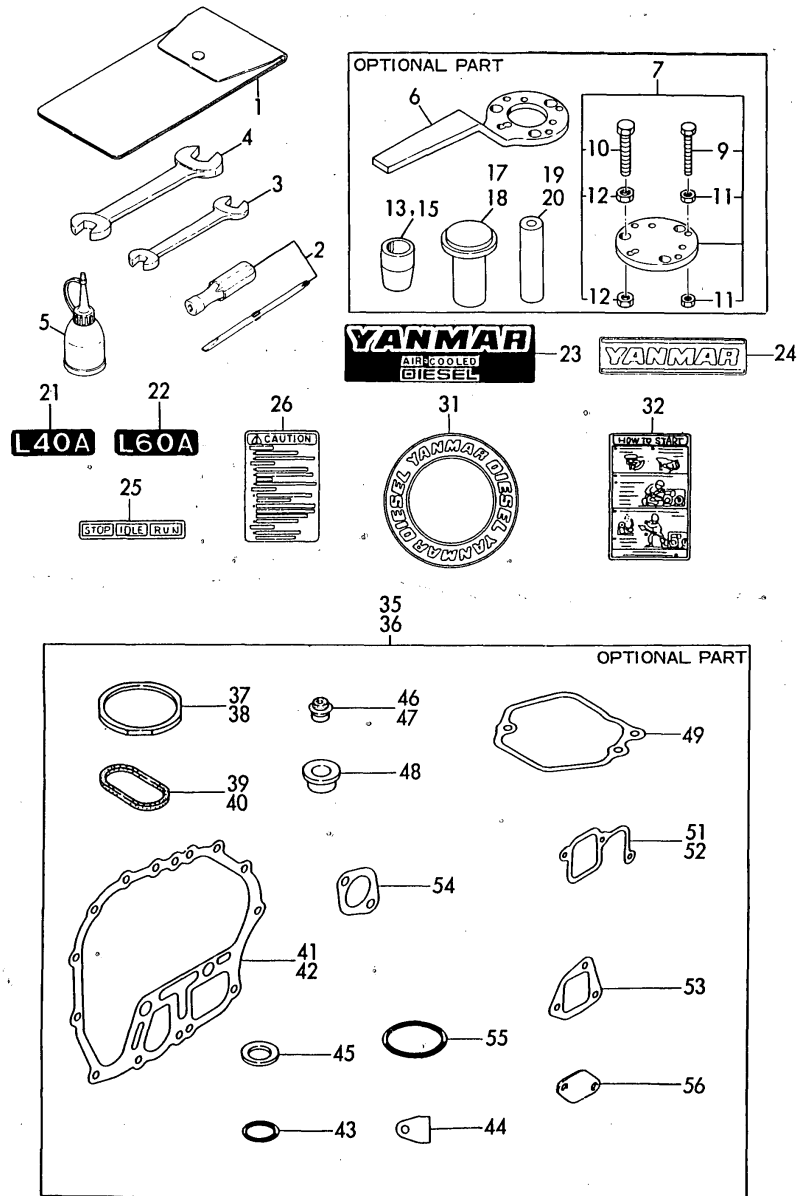
Fig. 9 FUEL TANK & FUEL LINE



REF.	LEV.	PARTS NO.	DESCRIPTION	QTY						I	R
				(A)	(B)	(C)	(D)	(E)	(F)		
1	1	714268-55751	TANK ASSY, FUEL(DV)	1							
2	1	714368-55750	TANK ASSY, FUEL(DV)		1						
9	2	114250-55041	CAP, TANK	1	1						
10	3	114250-55050	GASKET	1	1						
11	3	114250-55060	SEAL	1	1						
12	2	114250-55100	FILTER, FUEL	1	1						
16	2	23414-120000	GASKET 12, ROUND	1	1						
17	2	23887-120002	PLUG 12,HEX.	1	1						
18	2	114250-55201	DAMPER, FUEL TANK	4	4						
19	1	114250-55120	FILTER, FUEL OIL	1							
20	1	114350-55120	FILTER, FUEL OIL		1						
21	1	114250-55130	GASKET	1	1						
22	1	114250-55211	STAY (A)	1	1						
23	1	114250-55231	STAY (B)	1							
24	1	114350-55231	STAY (B)		1						
25	1	114250-55300	COCK ASSY, FUEL	1	1						
26	2	24341-000150	O-RING 1A S-15.0	1	1						
27	1	114252-55800	NUT	1	1						
28	1	114650-55810	BOLT, LIFTING	1	1						
29	1	22117-060000	WASHER 6	1	1						
30	1	22117-080000	WASHER 8	1	1						
31	1	26106-080452	BOLT M 8X 45 PLATED	1	1						
32	1	26366-060002	NUT M 6	1	1						
33	1	26476-060142	BOLT M 6X 14	2	2						
34	1	106990-44660	BAND, HOSE	2	2						
35	1	124722-59050	CLAMP 9	2	2						
36	1	114250-59050	PIPE, FUEL OIL	1							
37	1	114360-59060	PIPE, FUEL OIL		1						
38	1	114250-59060	PIPE, FUEL RETURN	1	1						
39	1	114250-59800	PIPE, FUEL INJECTION	1							
40	1	114350-59800	PIPE, FUEL INJECTION		1						

Fig.10. TOOL, LABEL & GASKET SET

Fig.10 TOOL, LABEL & GASKET SET



(A)=L40AE-DV  
(B)=L60AE-DV  
(C)=

(D)=  
(E)=  
(F)=

REF.	LEV.	PARTS NO.	DESCRIPTION	QTY						I	R
				(A)	(B)	(C)	(D)	(E)	(F)		
1	1	114250-92600	BAG, TOOL	1	1						
2	1	160330-92730	SCREWDRIVER	1	1						
3	1	28110-100120	WRENCH 10X12	1	1						
4	1	28110-140170	WRENCH 14X17	1	1						
5	1	28210-000150	FEEDER, OIL	1	1						
6	1	114250-92101	F.W. LOCKING HANDLE	1	1						1
7	1	114250-92130	REMOVER, FLYWHEEL	1	1						1
9	2	26116-060454	BOLT M 6X 45 PLATED	4	4						1
10	2	26116-080454	BOLT M 8X 45 PLATED	3	3						1
11	2	26716-060002	NUT M6	8	8						1
12	2	26716-080002	NUT M 8	6	6						1
13	1	114268-92300	GUIDE, OIL SEAL	1							1
15	1	114368-92300	GUIDE, OIL SEAL		1						1
17	1	114250-92311	INSTALLING TOOL	1							1
18	1	114350-92311	INSTALLING TOOL		1						1
19	1	114250-92350	INSTALLING TOOL	1							1
20	1	114350-92350	INSTALLING TOOL		1						1
21	1	114270-07050	LABEL(L40A)	1							
22	1	114370-07050	LABEL(L60A)		1						
23	1	114250-07090	LABEL, AIR COOLED	1	1						
24	1	114250-07110	LABEL, YANMAR	1	1						
25	1	183250-07230	LABEL, OPERATION	1	1						
26	1	114268-07240	LABEL, CAUTION	1	1						
31	1	114250-07350	LABEL, YANMAR DIESEL	1	1						
32	1	114268-07350	LABEL, HOW TO START	1	1						
35	1	714270-92600	GASKET SET	1							1
36	1	714370-92600	GASKET SET		1						1
37	2	114250-01340	GASKET, CYL. HEAD	1							
38	2	114350-01340	GASKET, CYL. HEAD		1						
39	2	114250-01380	O-RING	1							
40	2	114350-01380	O-RING		1						
41	2	114250-01412	GASKET, CRANK CASE	1							
42	2	114350-01412	GASKET, CRANK CASE		1						
43	2	24311-000180	O-RING 1A P-18.0	2	2						
44	2	114250-01840	GASKET	1	1						
45	2	43400-500490	SEAL WASHER 16	2	2						
46	2	114250-11340	SEAL, VALVE STEM	2							
47	2	114350-11340	SEAL, VALVE STEM		2						
48	2	114250-11460	GASKET, NOZZLE	1	1						
49	2	114250-11310	GASKET, BONNET	1	1						
51	2	114250-12200	GASKET, AIR INTAKE	1							
52	2	114350-12201	GASKET, AIR INTAKE		1						
53	2	114250-12210	GASKET, AIR CLEANER	1	1						
54	2	114250-13200	GASKET, MUFFLER	1	1						
55	2	103338-32570	O-RING	1	1						
56	2	114250-35270	GASKET, L.O. STRAINER	1	1						

Remarks  
(1) OPTIONAL PART.

## Part Number Index

All parts are stipulated in the order of part numbers.

(Depending on the area in which the part is used.)

This index will display the location of the part according to each part number.

## PARTS No. INDEX

PARTS No.	Fig.	Ref.No.
101158-11180	2	11
103338-32570	6	3
	10	55
103854-01221	4	28
104200-66820	6	38
104200-66830	6	39
104200-66850	6	40
105010-11490	2	33
		35
105225-01240	1	10
105425-01690	1	25
105546-51020	8	3
105546-51330	8	12
106990-44660	9	34
114250-01200	1	1
114250-01210	1	3
114250-01220	1	5
114250-01250	1	7
114250-01340	1	11
	10	37
114250-01380	1	13
	10	39
114250-01412	1	15
	10	41
114250-01800	1	29
114250-01830	1	31
114250-01840	1	32
	10	44
114250-02030	1	44
114250-02100	1	23
114250-02113	1	45
114250-02200	1	59
114250-02210	1	61
114250-03591	2	45
114250-03640	2	47
114250-07090	10	23
114250-07110	10	24
114250-07350	10	31
114250-11020	2	1
114250-11101	2	4
114250-11113	2	6
114250-11120	2	8
114250-11180	2	10
114250-11240	2	25
		30
114250-11290	2	16
114250-11310	2	43
	10	49
114250-11340	2	18
	10	46

PARTS No.	Fig.	Ref.No.
114250-11460	2	20
	10	48
114250-11600	2	22
114250-11651	2	23
114250-11900	2	36
114250-11951	2	44
114250-12010	3	1
114250-12200	3	5
	10	51
114250-12210	3	8
	10	53
114250-12520	3	13
114250-12530	3	15
114250-12550	3	18
114250-12560	3	16
114250-12580	3	17
114250-12980	3	14
114250-13200	3	36
	10	54
114250-13521	3	37
114250-13531	3	38
114250-13701	3	39
114250-14200	4	6
114250-14260	4	9
114250-14450	4	7
114250-21550	4	37
114250-22302	5	25
114250-23200	5	33
114250-23220	5	34
114250-23250	5	35
114250-32010	6	1
114250-32070	6	2
114250-35070	6	6
114250-35150	1	34
114250-35270	10	56
114250-45211	7	5
114250-45300	7	7
114250-45310	7	8
114250-45330	7	10
114250-51080	8	4
114250-51150	8	9
114250-51160	8	10
114250-51180	8	7
114250-51190	8	8
114250-51200	8	5
114250-51300	8	11
114250-51340	8	13
114250-51600	8	15
114250-51640	8	16
114250-51650	8	17

PARTS No.	Fig.	Ref.No.
114250-53001	8	22
114250-53080	8	24
114250-53120	8	25
114250-53130	8	26
114250-53140	8	27
114250-53210	8	28
114250-53300	8	29
114250-53331	8	32
114250-53400	8	33
114250-55041	9	9
114250-55050	9	10
114250-55060	9	11
114250-55100	9	12
114250-55120	9	19
114250-55130	9	21
114250-55201	9	18
114250-55211	9	22
114250-55231	9	23
114250-55300	9	25
114250-59050	9	36
114250-59060	9	38
114250-59800	9	39
114250-61900	6	17
114250-66200	6	23
114250-66440	6	37
114250-66550	6	43
114250-76590	7	55
114250-76600	7	57
114250-76610	7	58
114250-92101	10	6
114250-92130	10	7
114250-92311	10	17
114250-92350	10	19
114250-92600	10	1
114252-55800	9	27
114254-66200	6	33
114254-66210	6	34
114254-66220	6	26
114260-01453	1	17
114260-76050	7	18
114260-76250	7	22
114260-76520	7	26
114268-07240	10	26
114268-07350	10	32
114268-13800	3	49
114268-92300	10	13
114270-07050	10	21
114350-01200	1	2
114350-01210	1	4
114350-01220	1	6

PARTS No.	Fig.	Ref.No.
114350-01250	1	8
114350-01340	1	12
	10	38
114350-01380	1	14
	10	40
114350-01412	1	16
	10	42
114350-01700	1	57
114350-02100	1	24
114350-02113	1	46
114350-02200	1	60
114350-02210	1	62
114350-11021	2	2
114350-11101	2	5
114350-11113	2	7
114350-11120	2	9
114350-11340	2	19
	10	47
114350-11470	2	21
114350-12011	3	3
114350-12201	3	6
	10	52
114350-14450	4	8
114350-22301	5	26
114350-45320	7	9
114350-45340	7	11
114350-51200	8	6
114350-55120	9	20
114350-55231	9	24
114350-59800	9	40
114350-76590	7	56
114350-92311	10	18
114350-92350	10	20
114360-01453	1	20
114360-45101	7	2
114360-59060	9	37
114368-92300	10	15
114370-07050	10	22
114650-55810	9	28
114770-66010	6	20
114780-21400	4	31
114780-45100	7	1
114870-13550	3	42
114870-13560	3	44
114870-13700	3	45
114870-13710	3	46
114870-13720	3	47
114870-45200	7	6
114870-53000	8	23
114870-66010	6	21



## PARTS No. INDEX

PARTS No.	Fig.	Ref.No.
114880-21400	4	34
114880-76050	7	20
114880-76250	7	24
114880-76510	7	28
119260-11370	2	32
		34
121450-61520	6	16
124550-51350	8	14
124722-59050	9	35
124950-01250	1	9
135210-61090	6	19
160110-02220	1	47
		49
160120-76940	7	13
160210-02220	1	48
160260-76520	7	30
160260-76530	7	32
160260-76540	7	35
160260-76550	7	37
160260-76560	7	38
160260-76580	7	43
160260-76590	7	44
160260-76600	7	46
160260-76620	7	49
160260-76630	7	51
160290-76570	7	41
160310-14550	4	29
160330-92730	10	2
160710-01760	1	26
160810-76520	7	31
160810-76540	7	36
160810-76580	7	45
160810-76620	7	50
160810-76630	7	52
160840-76530	7	33
160840-76560	7	39
160910-01740	1	27
181130-76680	7	53
181130-76700	7	54
183250-07230	10	25
183250-66070	6	35
183250-66100	6	36
183720-55210	7	12
43400-500490	1	43
	10	45
714250-11570	2	12
714250-12560	3	12
714250-22502	5	6
714250-22542	5	14
714250-22550	5	22

PARTS No.	Fig.	Ref.No.
714250-23600	5	37
714250-23610	5	40
714250-23620	5	43
714250-23703	5	29
714250-51710	8	1
714250-53101	8	20
714250-61500	6	11
714268-12581	3	11
714268-55751	9	1
714270-11660	2	27
714270-92600	10	35
714271-01560	1	54
714280-22580	5	17
714280-22620	5	9
714280-22720	5	1
714288-21740	4	15
714350-22502	5	7
714350-22542	5	15
714350-22550	5	23
714350-23600	5	38
714350-23610	5	41
714350-23620	5	44
714350-23704	5	30
714350-51710	8	2
714350-61500	6	12
714368-55750	9	2
714370-11660	2	28
714370-92600	10	36
714371-01560	1	55
714380-22580	5	18
714380-22620	5	10
714380-22720	5	2
714388-21740	4	20
714770-28510	4	46
714770-61700	6	14
714780-14580	4	1
714870-28510	4	47
714870-53100	8	21
714880-14580	4	3

PARTS No.	Fig.	Ref.No.
-----------	------	---------

PARTS No.	Fig.	Ref.No.
-----------	------	---------



***YANMAR CO.,LTD.***